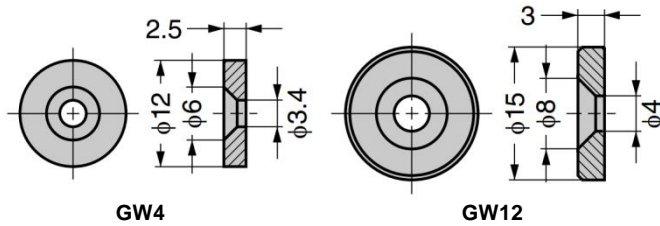
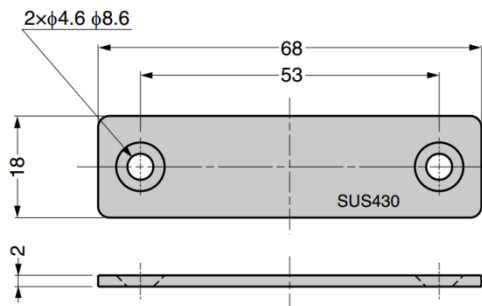


GW Counter Plate



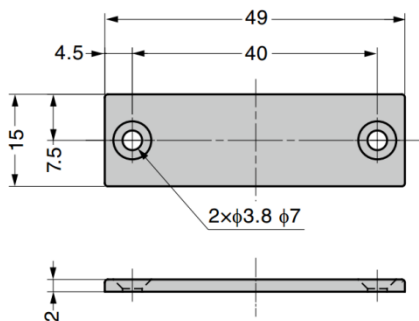
Part No.	Material	Finish
GW4	Steel (SPHC)	Coloured Zinc Chromate (Trivalent)
GW12	Steel (SUM)	Nickel

GAS-68 Stainless Steel Counter Plate



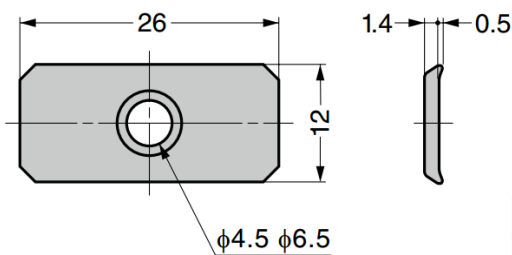
Part No.	Material	Finish
GAS-68	Stainless Steel 430	Barrel Polished

GMC-JM49 Stainless Steel Counter Plate



Part No.	Material	Finish
GMC-JM49	Stainless Steel 304	Polished

GSP0207 Counter Plate



Part No.	Material	Finish
GSP0207	Steel	Clear Zinc Chromate